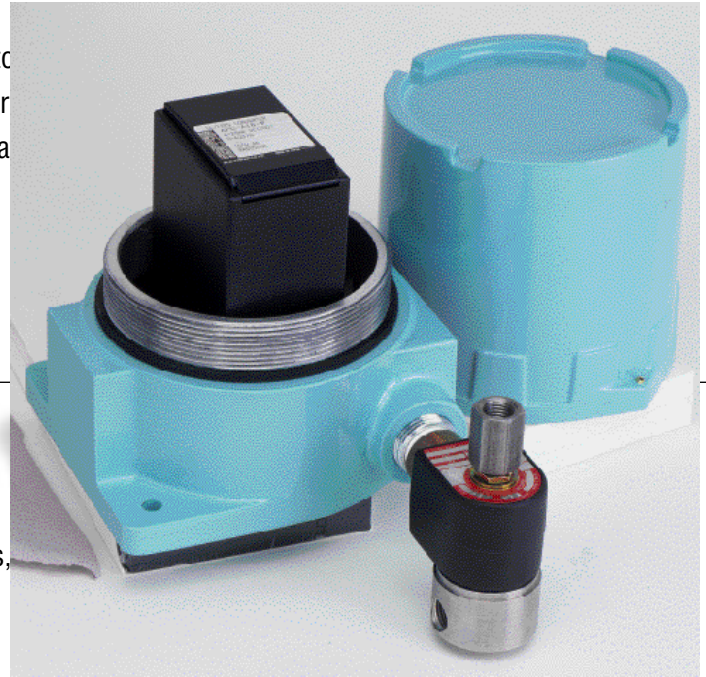




The APU SERIES AUTOMATIC PROCESSING UNIT is designed to automate pneumatic metering pumps. The APU accepts a linear 20 mA signal from a process flow meter and operates a pneumatic metering pump to operate proportional to the input signal. This is accomplished by the use of a normally closed, 3-way solenoid valve connected to air or gas supply.

Economic Automation

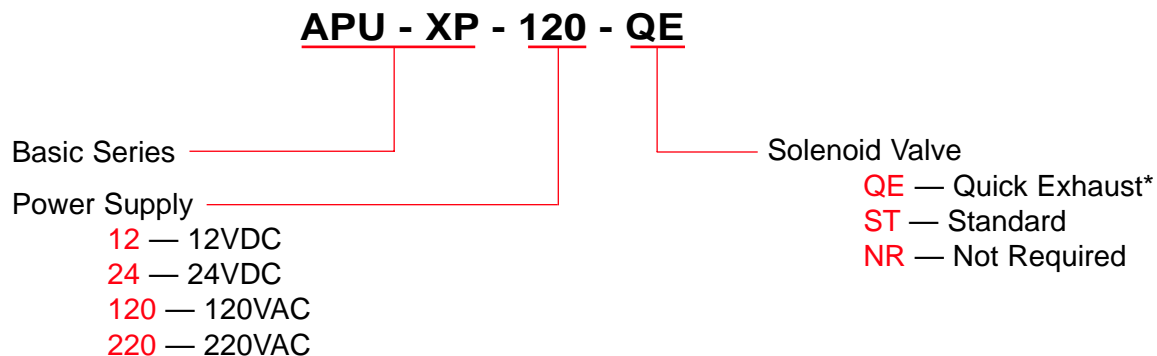
The APU pulses the 3-way solenoid valve which is connected to the pneumatic pump. The solenoid is cycled “on and off” to operate the pump. As the process signal increases or decreases, the pump cycles in direct proportion. Thereby increasing or decreasing the amount of chemical injected.



FEATURES

- Explosion Proof
Class I, Groups B,C,D
Class II, Groups E,F,G
Class III
CENELEC: EExd IIC, IP66
- Weatherproof Enclosure
NEMA 4, 7BCD, 9EFG
- Corrosion resistant, powdercoat finish
- Provides pulse rate output proportional to a process signal
- Reduced chemical usage by operating proportional to the process flow
- Compact unit, ideal for offshore and plant installations
- Exterior mounting lugs for easy installation

PART NUMBER FOR ORDERING



*Quick Exhaust (QE) option is used when maximum number of strokes are required on larger sized pumps.

APU-XP

AUTOMATIC PROCESSING UNIT

SPECIFICATIONS

Maximum Frequency, Span:

45 strokes per minute

Minimum Frequency:

0 strokes per minute

Zero Adjustment:

0 - 5% (front)

Output Frequency Adjustment:

Preselecting range with a rotary switch and fine control with span adjustment (50 - 100%)

Low-end Cutout Adjustment:

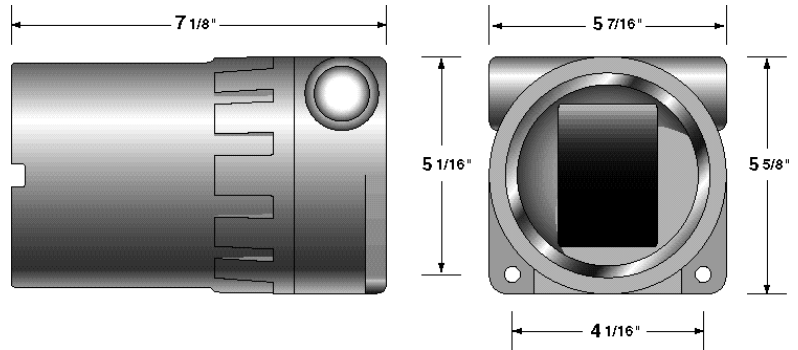
0 - 10% (front); a red LED assists in adjusting the cutout point: turns on during the cutout

Power Supply:

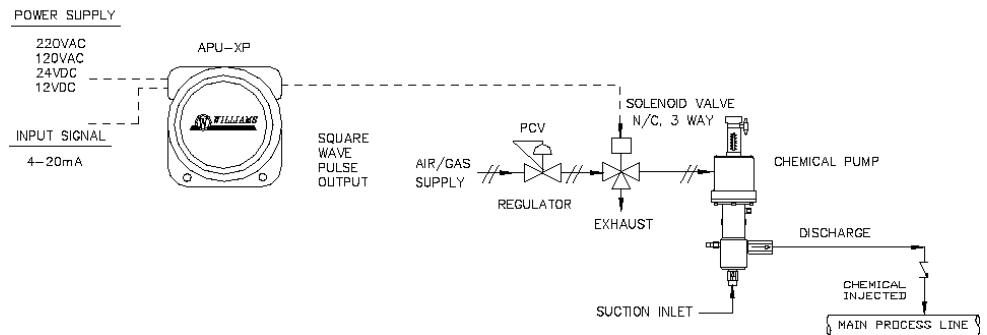
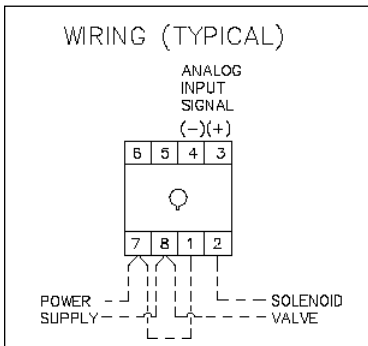
12VDC, 24VDC, 120VAC, 220VAC (50 Hz)

Accuracy:

± 0.25% of span



APPLICATIONS



For more info contact us at:

