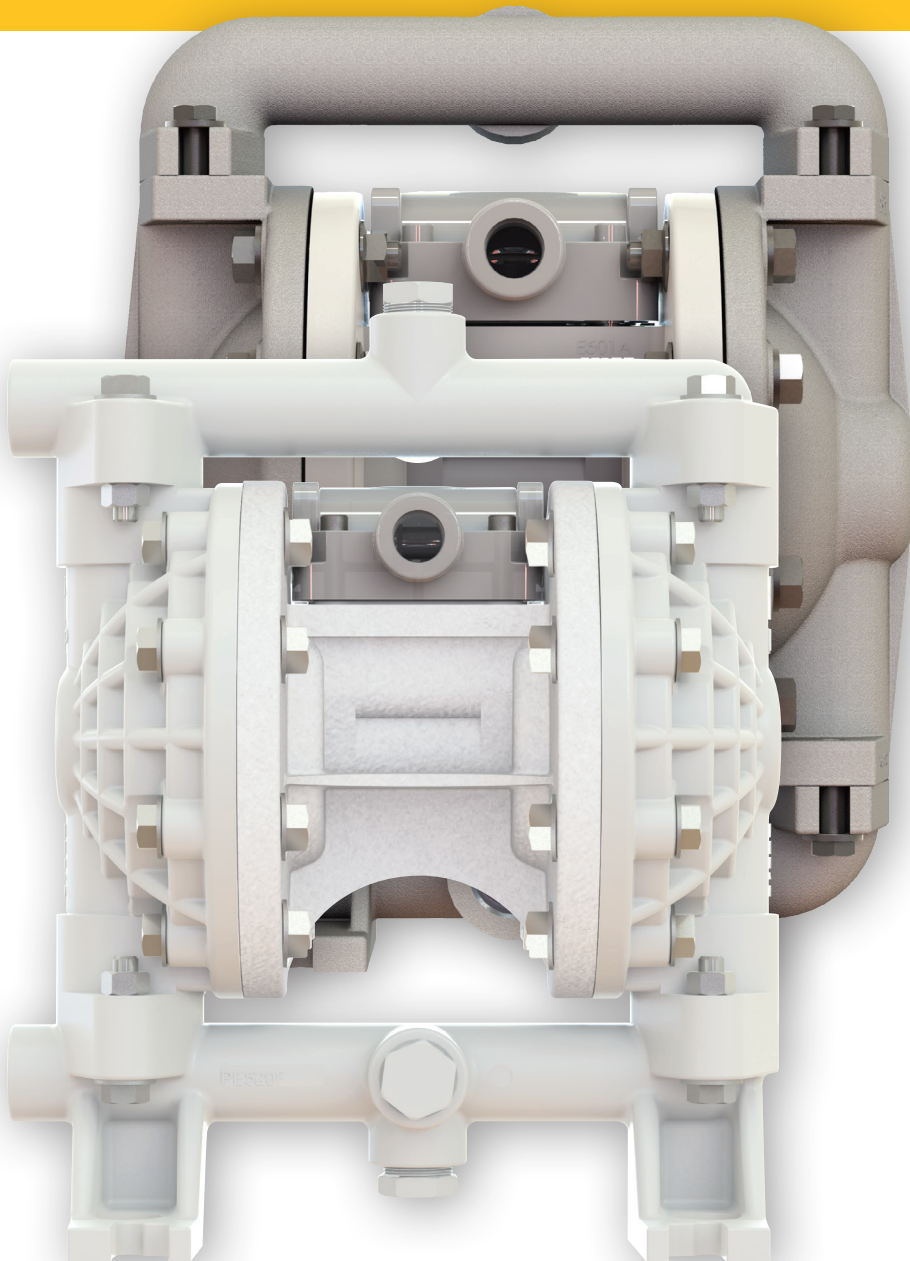


1/2" PLASTIC AND METAL PUMP

AIR OPERATED DOUBLE DIAPHRAGM (AODD) PUMP

CE



MULTIPLE PORTING OPTIONS

Top, side and end porting for both inlet and discharge

SHOE VALVE TECHNOLOGY

On / Off / On reliability, with no costly air blow-by for excellent air efficiency

ADAPTABLE FOOTPRINT

Allows for drop-in replacement in existing system configurations



VERSAMATIC[®]
PUMPING MADE EASY

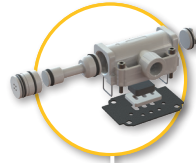
FEATURES AND BENEFITS

1/2" Plastic and Metal Bolted



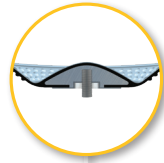
Exclusive Elima-Matic Air Valve System

Unbalanced air valve delivers unsurpassed On / Off / On reliability.



Simple, Low Cost Maintenance

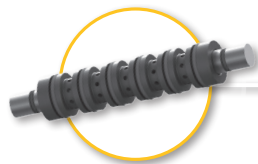
Air valve can be easily refurbished with low cost components (Seals / Bearing sleeves).



Extended Life Diaphragms

Integrated Plate Bonded PTFE diaphragms. Ribbed backer, oversized integral plate, and deflection ridges extend flex life. No outer plates mean no leak path or plate abrasion.

VERSA-RUGGED diaphragms deliver reliability in a variety of rubber and thermoplastic materials.



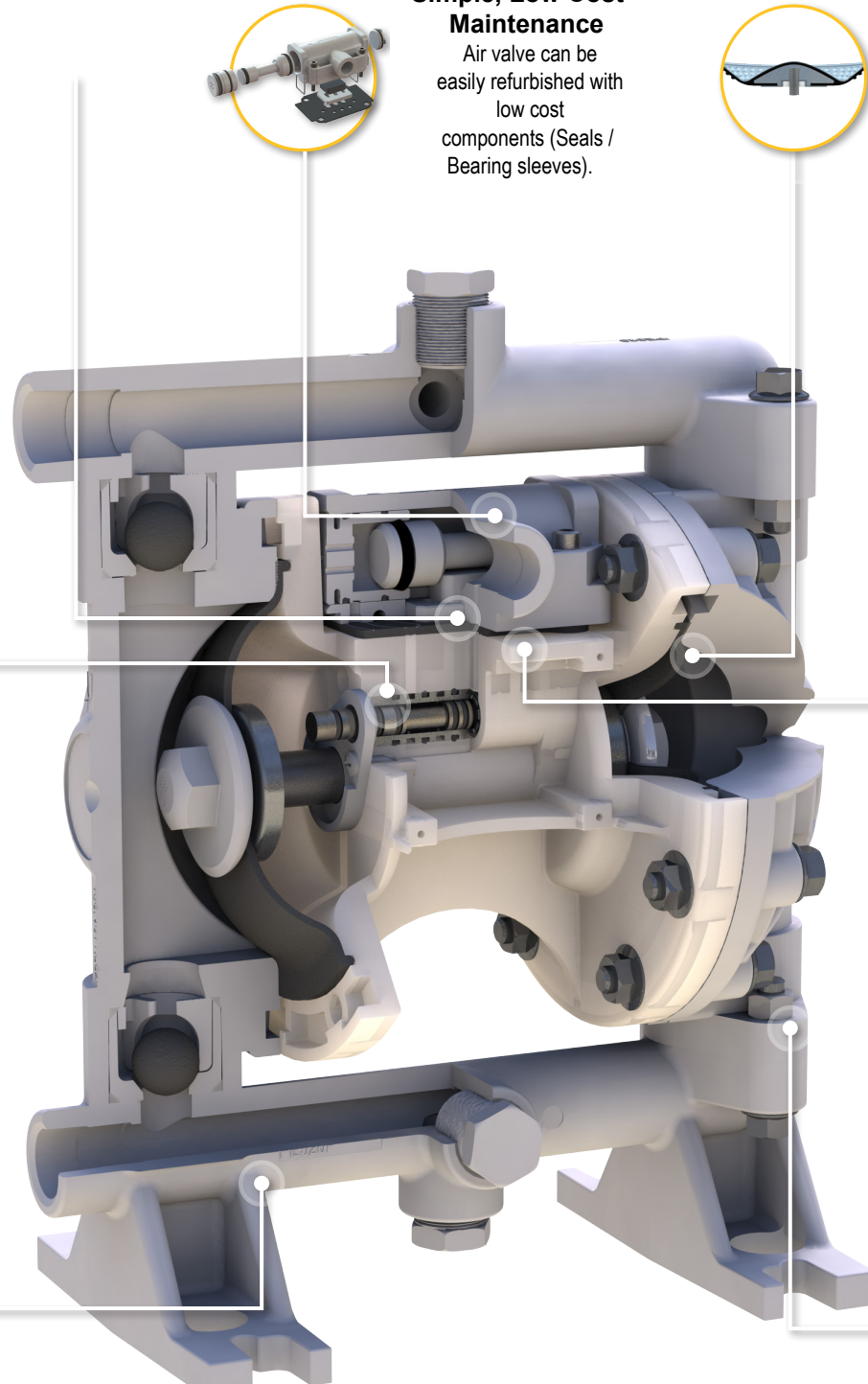
Long Term Reliability

Modular pilot assembly eliminates complexity, and ensures consistent performance after maintenance is performed.



Dimensional Interchangeability

E5 Plastic interchanges with ARO PD05 1/2" unit.



Chemical Resistance

Air sections available in plastic or metal construction materials. Protective coating options also available.



Leak-Free Bolted Construction

Bolted construction provides enhanced sealing capabilities when pumping thin liquids.



ACCESSORIES & SPECIFICATIONS

1/2" Plastic and Metal Bolted

ACCESSORIES / KITS:

Protect Your Investment and Increase Uptime



Filter Regulator

Clean dry air for optimum performance and longevity. Automatic drain for maintenance free operation.



Drum Pump Kit

Allows the pump to be easily attached directly to a drum for simple product dispensing.



Parts Kits

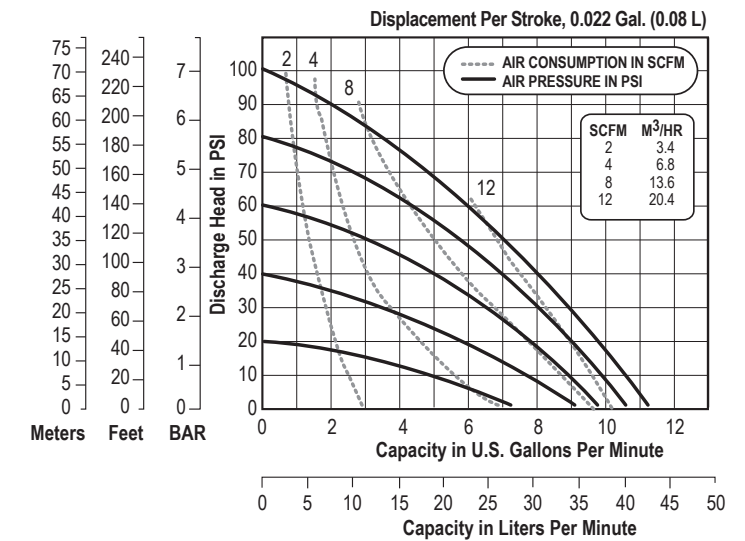
Save time and money with complete parts kits. Repair it once, repair it right.

PERFORMANCE:

E5 1/2" Bolted Metal and Plastic Rubber and TPE Fitted

Flow Rate	Adjustable to	0-11 gpm (42 lpm)
Port Size	Suction	1/2" (12.7 mm) NPT
	Discharge	1/2" (12.7 mm) NPT
Air Inlet	3/8" (8.3 mm) NPT
Air Exhaust	3/8" (8.3 mm) NPT
Suction Lift	Dry	12' (3.6 m)
	Wet	30' (9.1 m)
Max Solid Size (Diameter)	1/16" (1.6 mm)
Shipping Weights	Acetal	8.5 lbs. (3.9 kg)
	Polypropylene	8.5 lbs. (3.9 kg)
	Conductive Polypropylene	12 lbs. (5.4 kg)
	PVDF	12 lbs. (5.4 kg)
	Aluminum	11 lbs. (3.9 kg)
	Stainless Steel	17 lbs. (7.7 kg)
	Alloy C	17 lbs. (7.7 kg)

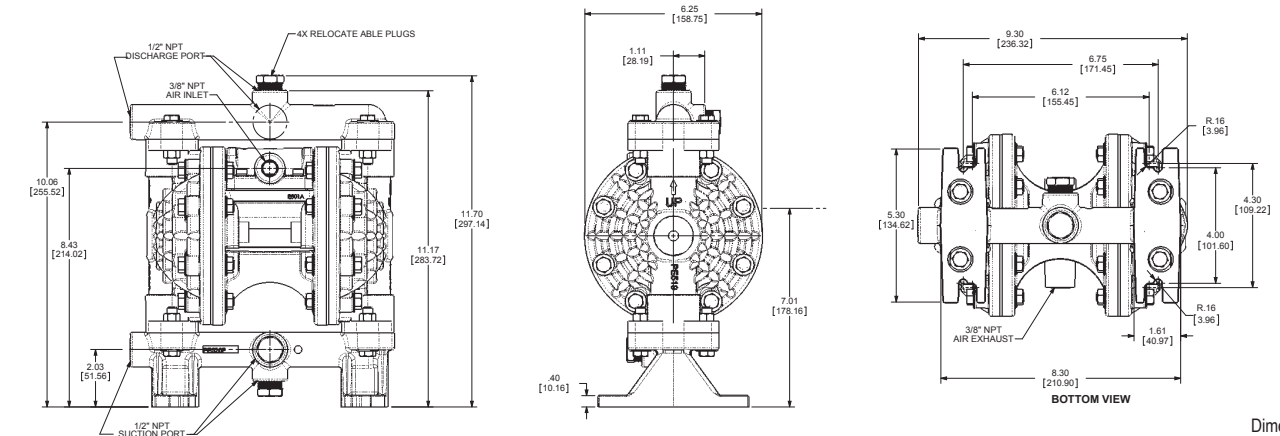
CURVES:



NOTE: Performance based on the following: elastomeric fitted pump, flooded suction, water at ambient conditions. The use of other materials and varying hydraulic conditions may result in deviations in excess of 5%.

DIMENSIONAL DRAWINGS:

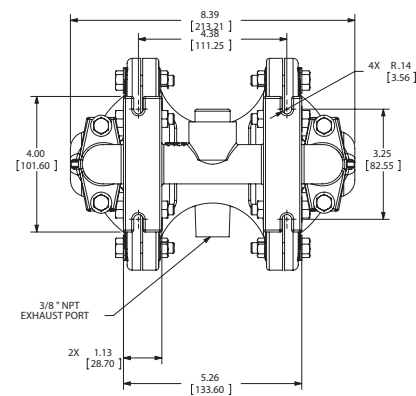
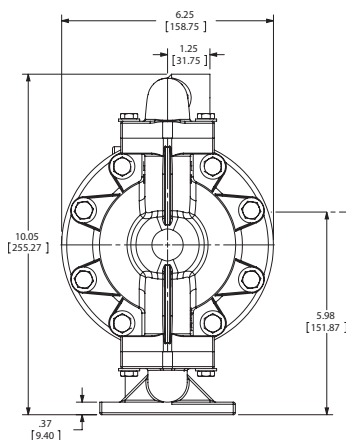
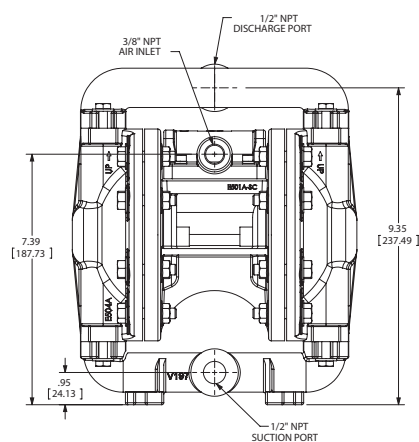
E5 Plastic Bolted



Dimensions in Inches [mm]
Tolerance: ±1/8" [± 3mm]

DIMENSIONAL DRAWINGS:

E5 Metal



BOTTOM VIEW

Dimensions in Inches [mm]
Tolerance: ± 1/8" [± 3mm]

INDUSTRIES & APPLICATIONS



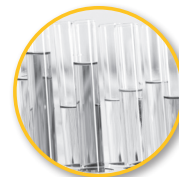
Car Wash

Soap delivery, apply wheel cleaner and wax



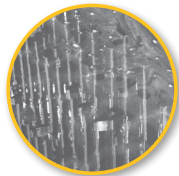
Printing

Ink dispensing, apply glue



Chemical

Drum transfer, chemical injection, chemical batching



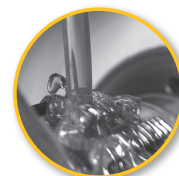
Metal Finishing

Chemical transfer / dispensing



Machining

Coolant filtration / transfer



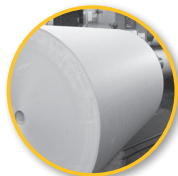
Lubrication

Dispensing of oil, windshield solvent, transmission fluid, and anti-freeze



Wood Finishing

Spray lacquers, solvents



Pulp and Paper / Corrugation

Glue transfer and dispensing



Construction

Concrete additives dispensing



Warren Rupp, Inc. | A Unit of IDEX Corporation
800 North Main Street | Mansfield, OH 44902 USA
Phone: 419.526.7296 | Fax: 419.526.7289



VM_E5bro-rev0621

©Copyright 2021 Warren Rupp, Inc. All Rights Reserved.